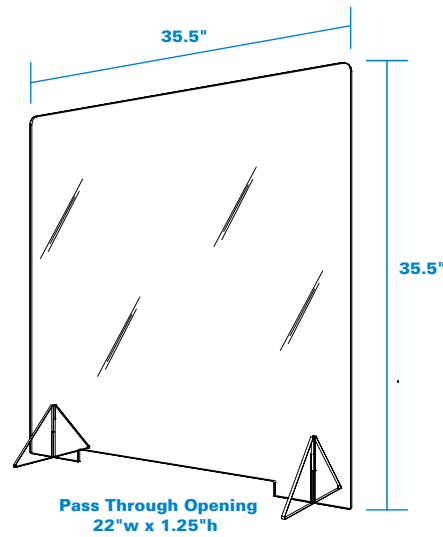
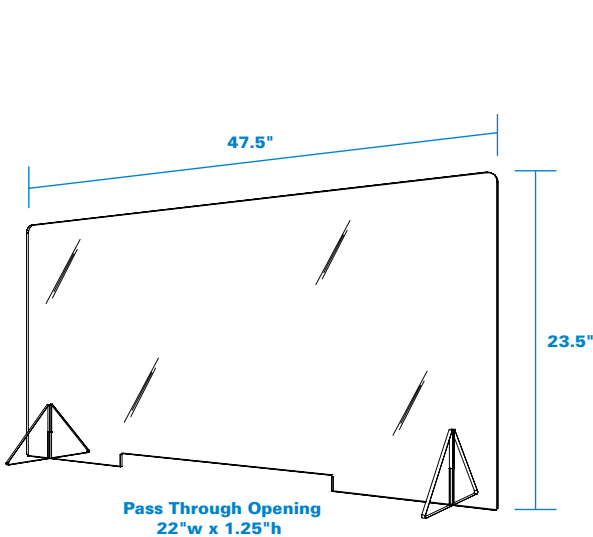
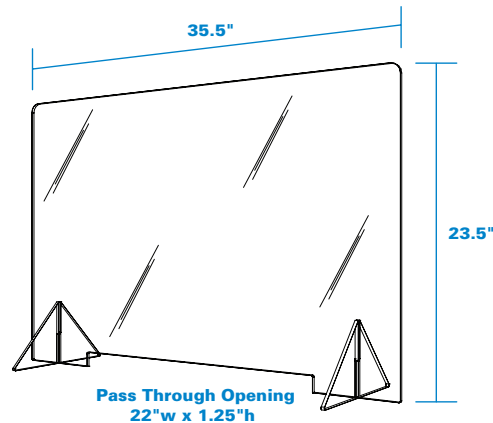
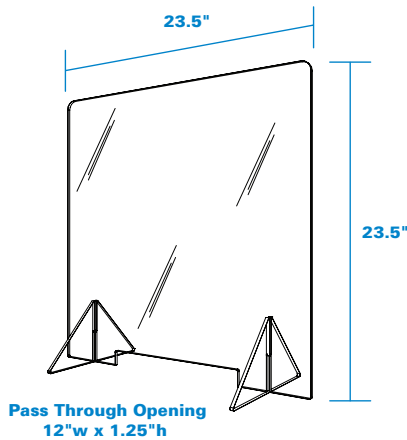


TeamShield Germ Guard Specifications

- Made of .25" (1/4") thick premium clear acrylic
- Sturdy
- Lightweight & portable
- Freestanding
- Easy to set up
- Pass through opening
- Available in 4 sizes
- Easy to clean



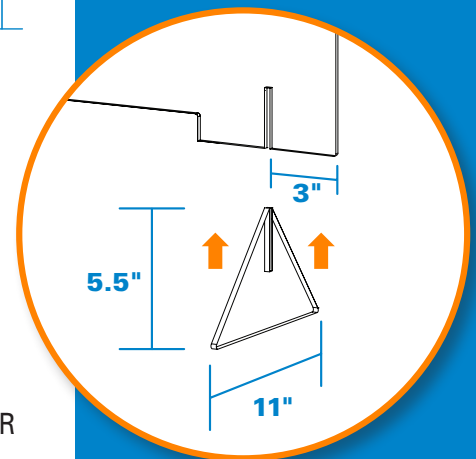
Assembly:

Each TeamShield germ guard comes with two bases. Simply insert the slot from each base into each slot on the TeamShield.

Cleaning:

Use a lint free cloth damp with only water or a commercially available plastic cleaner when cleaning acrylic surfaces. It is possible to scratch acrylic, so NEVER use any scouring compounds or chemical cleaners such as glass cleaners (even if they are environmentally friendly, organic or non-scented). Should anything ever stick to an acrylic surface (such as an adhesive label or gummy substance) do not use any type of solvent.

Never use the same cloth that you clean other household items with – it can retain dirt, grit, and chemical residues that may harm your acrylic items. We recommend using a new or separate cloth for your acrylic care.



CAUTION: Never use window cleaner, ammonia products, or other chemical sprays on acrylic!